



## Main brushes & plate brushes

### MULTIFUNCTIONAL USE

#### The right brush for every application

The cleaning results and service lives are significantly influenced by the choice of the right brush. For this purpose, bema offers one of the largest selections of main brushes, as well as plate and rotary side brushes. Our extensive stock ensures quick availability. The various materials and bristle arrangements are always tailored to the specific application. Furthermore, the brushes can be easily changed. This allows you to use your bema sweeper throughout the year: from cleaning light dirt to removing heavy debris, as well as for winter service and environmentally friendly weed removal.

OVERVIEW OF MAIN BRUSHES		Details of the unlisted bema products and of the rotary side brushes can be found in the technical specifications on the respective product page.								
		Sweezy® 580 Dual E	Sweezy® 25 Dual WD	Sweezy® 40 WD	bema 65/75 Dual PowerMaster	bema 35/30 Dual PowerMaster	bema Serie 25/20 (modular kit)	bema 40 Industry	bema Kommunal 580 Dual	bema Kommunal 450 Dual
<b>NEW: Bio-Polymer<sup>1)</sup></b> compostable	<b>Universally applicable for minor soiling such as dust, sand, grit etc.</b>	DS	DS	DS			FB	FB	SB	
<b>PPN</b>	<ul style="list-style-type: none"> <li>• Good cleaning performance</li> <li>• Can be used in the barn</li> <li>• Limited suitability for coarse dirt</li> </ul>	DS	DS	DS	SB	SB	FB	V	FB	
<b>Snow</b> PPN spiral segments	<b>Universal all-season brush for minor soiling, as well as for snow and leaves</b>	✓	✓		✓	✓	✓	✓	✓	
<b>Industry</b> PPN, hard & soft bristles mixed	<b>For use with fine dust, smooth floor coverings and for interior cleaning</b>	DS	DS	DS			V			
<b>Steel/PPN</b> Aggressive cleaning	<b>Used for coarse and stubborn dirt, bema WKB - weed brush removes weeds and moss</b>	DS	DS	DS		SB	FB	V	FB	
<b>Steel flat wire/PPN</b> More aggressive cleaning	<ul style="list-style-type: none"> <li>• Ideal for stubborn soiling</li> <li>• Not suitable for fine dirt</li> <li>• Not suitable for keeping animals</li> <li>• Reduced centrifugal effect</li> <li>• Limited suitability for sensitive surfaces</li> </ul>	DS	DS	DS	SB	SB	FB	V	FB	
<b>bema WKB</b> Weed brush							✓	✓	✓	
<b>NEW: bema Paddy</b> Paddle roller	<b>Special roller for picking up solid materials such as horse droppings etc.</b>						✓ 25	✓	✓	
<sup>1)</sup> <b>Bio-Polymer</b> contains renewable raw materials and is biodegradable; Food approval 10/2011, compostable ISO 13432 <sup>2)</sup> PPN = propylene (no PVC) / particularly wear-resistant and durable plastic. <b>Other brush designs and brush trims available on request.</b>		<b>Main brush - version as:</b>			<b>FB</b> Full brush <b>DS</b> Design Sweezy® <b>SB</b> Spiral trim <b>V</b> Arranged in a V-shape					



## bema WKB - weed brush

### EFFECTIVE THROUGH AREA EFFICIENCY

#### Equipping sweepers for weed removal

The combination of sweeper and the bema WKB weed brush makes a second work step superfluous, as the weeds can be picked up directly by the optional collection container.

The drive is mechanical. A hydraulic drive is also possible under suitable conditions. The working width is between 1250 and 2300 mm depending on the model. In this way large areas are quickly and thoroughly cleared of weeds, moss and the like. The additional equipment of the sweeper with a rotary side brush with weed trim sweeps up weeds growing in gutters and on curbs..

### OPTIONAL EQUIPMENT



#### bema 25 / bema 25 Dual

Ø 510 mm steel flat wire retrofittable main brush



#### bema 20 / bema 20 Dual

Ø 510 mm steel flat wire retrofittable main brush



#### bema Kommunal 580 Dual

Ø 510 mm steel flat wire retrofittable main brush

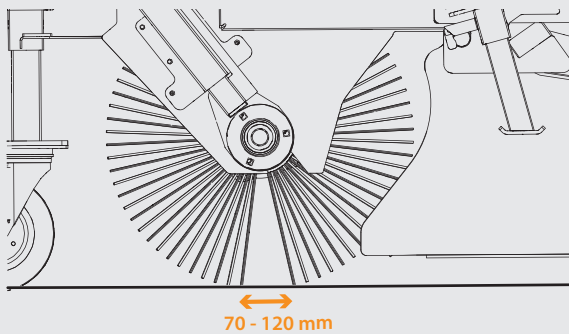


#### bema Kommunal 450 Dual

Ø 400 mm steel flat wire retrofittable main brush

### OPTIMAL SWEEPING RESULTS

The lifetime of the brushes are influenced by many factors, such as the intensity of use, the surface to be swept, the degree of soiling and the contact pressure.



To get a perfect result, the operator has to pay attention to the correct brush speed and to the correct sweeping pattern (contact pressure of the main brush).

If the pressure is too high, the sweeping result will be much worse and the bristles will wear out.

Depending on the main brush diameter the sweeping pattern should be approx. 70 bis 120 mm. In general, the larger the main brush diameter, the larger is also the sweeping pattern.

### BRUSHES IN DETAIL



Honeycomb brush rings (bema Jumbo)



NEW: Bio-Polymer (compostable)



NEW: bema Paddy - paddle roller e.g. for horse droppings